



AIRCHARGER[®]

HIGH-FLOW INTAKE KITS

NOT LEGAL FOR SALE OR USE ON ANY POLLUTION CONTROLLED MOTOR VEHICLE IN CALIFORNIA OR STATES ADOPTING CALIFORNIA EMISSION PROCEDURES.
See knfilters.com for CARB status on each part for a specific vehicle

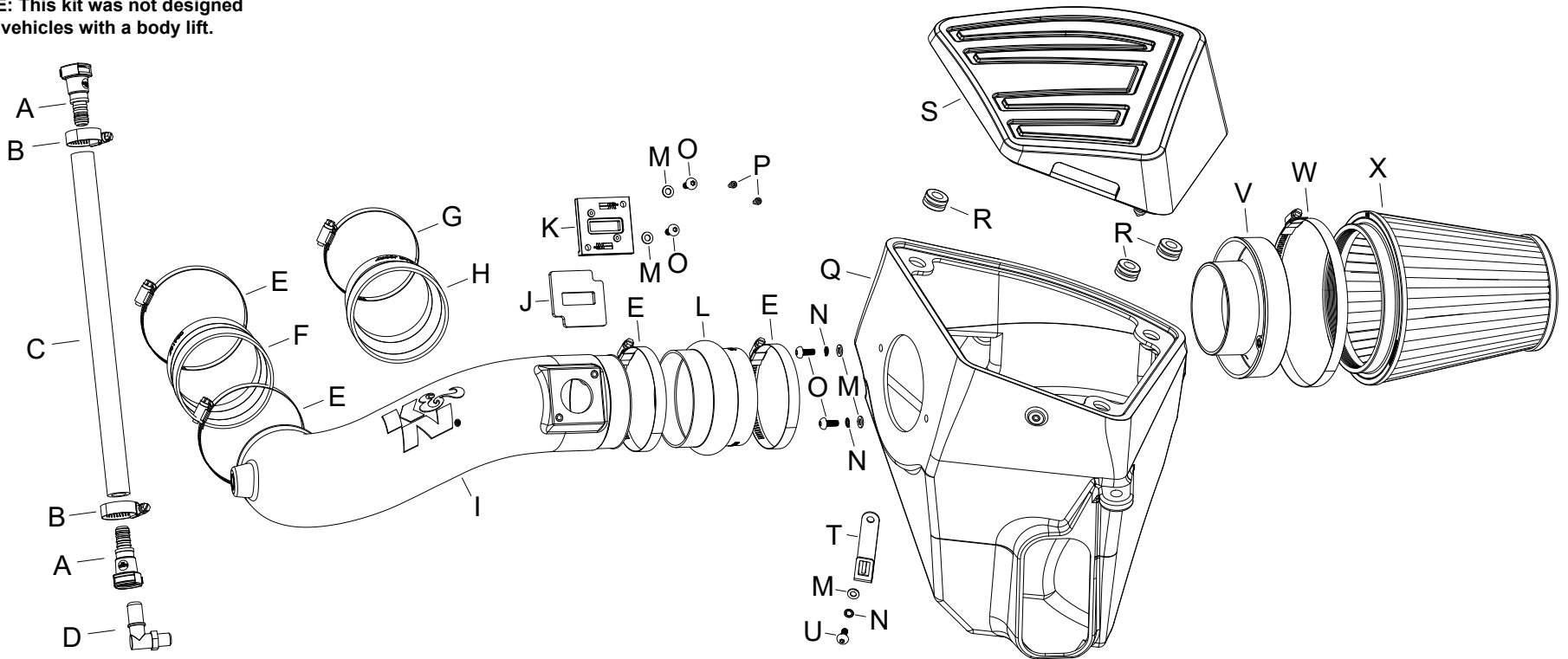
INSTALLATION INSTRUCTIONS

63-3109
CHEVROLET / GMC / CADILLAC
2019-21 Silverado / Sierra
2021 Tahoe / Suburban
2021 Yukon / Yukon XL
2021 Escalade / Escalade ESV
V8-5.3L / 6.2L

TOOLS NEEDED:

- ratchet
- extension
- 10mm deep socket
- 3mm allen key
- 4mm allen key
- t10 torx
- t20 torx
- phillips screw driver
- flat blade screw driver
- 90° pick

NOTE: This kit was not designed to fit vehicles with a body lift.



PARTS LIST:

Description	Qty.	Part #	Description	Qty.	Part #	Description	Qty.	Part #
A VENT; STRT QUICK DISC.	2	08526	I TUBE; MC	1	087418A	Q AIRBOX; MD	1	087419A
B HOSE CLAMP #10 MINI	2	08411	J GASKET; 3/16" PORON	1	09069	R GROMMET; 1"OD, 1/2"ID, 1/2"	3	08064
C HOSE; 5/8"ID X 15"L	1	5-7015	K ADAPTOR; MAF SENSOR	1	21515-1	S LID; ME	1	087420
D VENT; 90"D, 1/4"NPT, QUICK	1	82633	L HOSE; HUMP 4"ID X 3"L	1	08418	T BRACKET	1	064358
E HOSE CLAMP; #64 STAINLESS	4	08645	M WASHER; 6MM FLAT	5	08269	U BOLT; M6 X 1 X 12MM	1	07727
F HOSE; 4"ID TO 3-13/16"ID X 3"L	1	084107	N WASHER, M6 SPLIT LOCK ZINC	3	1-3025	V ADAPTOR; #454	1	27300
G HOSE CLAMP #56	1	08620	O BOLT; M6 X 1 X 16MM	4	07730	W HOSE CLAMP; #104	1	08697
H HOSE; 4"ID TO 3.5"ID X 3"L	1	08497	P BOLT; M4-.7 X 8MM	2	07733	X AIR FILTER	1	RF-10410

If you need any assistance please call 1-800-858-3333 to speak with a representative in our Customer Service Center before returning the product.

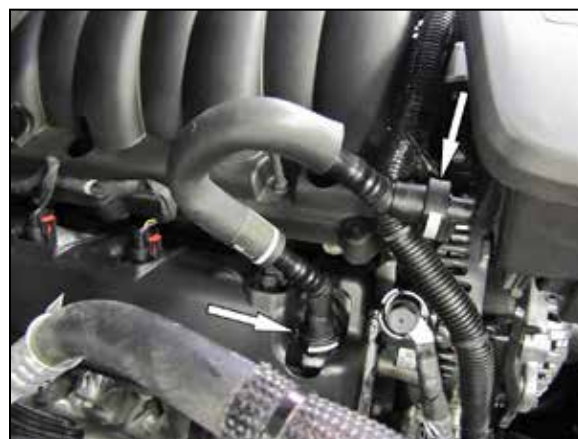
NOTE: FAILURE TO FOLLOW INSTALLATION INSTRUCTIONS AND NOT USING THE PROVIDED HARDWARE MAY DAMAGE THE INTAKE TUBE, THROTTLE BODY AND ENGINE.

TO START:

1. Turn off the ignition and disconnect the negative battery cable.
NOTE: Disconnecting the negative battery cable erases pre-programmed electronic memories. Write down all memory settings before disconnecting the negative battery cable. Some radios will require an anti-theft code to be entered after the battery is reconnected. The anti-theft code is typically supplied with your owner's manual. In the event your vehicles anti-theft code cannot be recovered, contact an authorized dealership to obtain your vehicles anti-theft code.



2. Disconnect the mass air sensor electrical connection.



3. Depress the locking tabs and then disconnect the crank case vent line from the intake plenum and valve cover vent port.



4. Loosen the hose clamps that secure the intake plenum assembly to the throttle body and air filter housing. Disconnect the plenum from the air filter housing and then rotate the plenum assembly counter clockwise to disengage the keyed mount and then remove the plenum from the throttle body. **NOTE: Wiring harness anchored to plenum will need to be detached before removing from vehicle.**



5. Remove the two bolts that secure the hood release arm to the hood latch and then remove the release arm.



6. Release the ten plastic locking pins holding the upper radiator valence and then remove the valence from the vehicle.



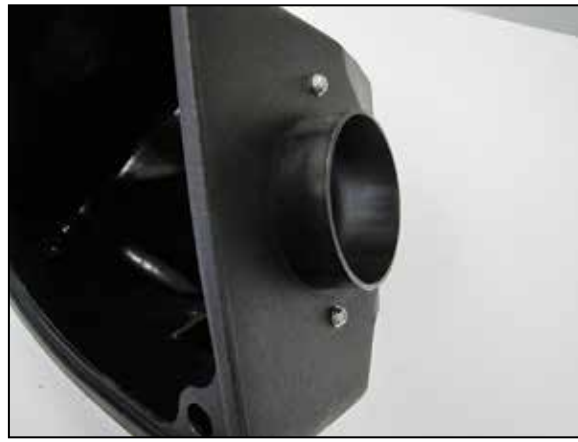
7. Remove the plastic clip securing the fresh air intake duct onto the core support, then pull the duct forward to disengage it from the factory air filter housing.



8. Using a small 90° pick or similar tool, release the locking tap that secures the wiring harness bulk connector to the air filter housing and then unhook the connector from the housing.



9. Remove the nut that secures the air filter housing assembly to the vehicle. Remove the air filter housing assembly from the vehicle.
NOTE: Go slow and use caution to remove the housing. It is indexed into two holes in the rear with rubber grommets that can fall off easily and be lost. It is a tight fit but will come out without being forced.



10. Install the provided radius filter adapter into the K&N® air filter housing and secure with the provided hardware.



11. Install the three provided grommets into the top of the K&N® air filter housing.



12. Install the provided wiring harness bracket onto the K&N® air filter housing and secure with the provided hardware.



13. Remove the two factory mounting grommets from the factory air filter housing and install them onto the K&N® air filter housing.



14. Install the K&N® air filter housing into the vehicle so the mounting grommets engage into the factory mounting holes. Secure the housing with the factory nut removed in step #9.



15. Push the factory fresh air intake duct into the K&N® air filter housing and then reinstall the plastic clip to secure it into position.



16. Clip the wiring harness onto the bracket installed onto the K&N® air filter housing.



17. Install the provided hump coupler (08418) onto the filter adapter and secure with the provided hose clamp.



18. On 5.3L vehicles, install coupler #08497 onto the throttle body and secure with the provided hose clamp. On 6.2L vehicles, install coupler #084107 onto the throttle body and secure with the provided hose clamp.



19. Install the provided gasket onto the provided mass air sensor adapter. Remove the mass air sensor from the factory air filter housing and then install it into the adapter and secure with the provide hardware.



20. Install the mass air sensor assembly into the K&N® intake tube in the direction shown and secure with the provided hardware.



21. Install the 90° quick disconnect vent fitting into the K&N® intake tube as shown.
NOTE: Plastic NPT fittings are easy to cross thread. Install the vent fitting "hand" tight, then turn it two complete turns with a wrench.



22. Install the K&N® intake tube into the coupler at the air filter housing and then into the coupler on the throttle body, adjust the tube for best fit and then secure with the provided hose clamps.



23. Assemble the crank case vent assembly using the provided hose, straight quick disconnect fittings and hose clamps as shown.



24. Install the crank case vent hose assembly onto the valve cover port and onto the 90° fitting on the intake tube.



25. Install the K&N® air filter onto the filter adapter and secure with the provided hose clamp.



26. Reconnect the mass air sensor electrical connection.



27. Install the K&N® air filter housing lid onto the air filter housing so the posts engage with the mounting grommets.



28. Reinstall the upper radiator valence and secure with the factory retaining clips.



29. Reinstall the hood release arm to the hood latch and secure with the factory bolts.



30. Reconnect the vehicle's negative battery cable. Double check to make sure everything is tight and properly positioned before starting the vehicle.

31. **NOTE:** Most General Motors vehicles have the Vehicle Emissions Certification Information (VECI) label affixed to the air filter box. In order to be compliant with California emissions laws, the label **MUST** remain in the engine compartment. If the Vehicle Emission Control Information label is removed during modification, a new replacement label must be obtained and installed in a readily visible position in the engine compartment. The label shall not be affixed to any equipment which is easily detached from the vehicle. We recommend that the label is affixed to the underside of the hood adjacent to the hood latch. The label is Vehicle Identification Number dependent and can be ordered from the vehicle dealership. In order to receive the proper decal please bring your VIN with you. Failure to have the VECI under the hood may result in failure of a pre-registration smog test.

32. **K&N AIR FILTER MONITOR LIGHT NOTE:** Some vehicle may be equipped with a "Air Filter Monitor" system that will send a message to the instrument cluster indicating that the air filter needs to be replaced. This system is calibrated for the OEM intake system and air filter and will not be accurate when K&N® products are in use. Always refer to WWW.KNFILTERS.COM for K&N® air filter service procedures. If the "Air Filter Monitor" system indicates to replace the air filter, reset the system per the vehicle owner's manual.

33. It will be necessary for all K&N® high flow intake systems to be checked periodically for realignment, clearance and tightening of all connections. Failure to follow the above instructions or proper maintenance may void warranty.

ROAD TESTING:

1. Start the engine with the transmission in neutral or park, and the parking brake engaged. Listen for air leaks or odd noises. For air leaks secure hoses and connections. For odd noises, find cause and repair before proceeding. This kit will function identically to the factory system except for being louder and much more responsive.

2. Test drive the vehicle. Listen for odd noises or rattles and fix as necessary.

3. If road test is fine, you can now enjoy the added power and performance from your kit.

4. K&N Engineering, Inc., requires cleaning the intake system's air filter element every 100,000 miles. When used in dusty or off-road environments, our filters will require cleaning more often. We recommend that you visually inspect your filter once every 25,000 miles to determine if the screen is still visible. When the screen is no longer visible some place on the filter element, it is time to clean it. To clean and re-oil, purchase our filter Recharger® service kit, part number 99-5050 or 99-5000 and follow the easy instructions.

NOT LEGAL FOR SALE OR USE ON ANY POLLUTION CONTROLLED MOTOR VEHICLE IN CALIFORNIA OR STATES ADOPTING CALIFORNIA EMISSION PROCEDURES.

See knfilters.com for CARB status on each part for a specific vehicle